



Cat No. T-083a

Nitto Kohki's POWER TOOLS



CONTENTS

Pneumatic & Electric Power Tools, Labor-saving plus Improved Work Efficiency!



Whether you just glance through this booklet or give it an intensive reading, we are sure you'll agree that NITTO KOHKI's portable hydraulic and electric machines, couplers and pneumatic hand tools are among the finest precision engineered equipment to be found today.

	Manufacturing	Sheet-Metal Working	
NEEDLE SCALER JET CHISEL	Various peening works	Paint & rust scaling	
AIR HAMMER AUTO CHISEL	Rivet calking, bush inserting & removing	Sheet metal cutting, paint chiseling, rivet punching	
PNEUMATIC SCALER SUPER HELEN	-	-	
PNEUMATIC CHIPPING HAMMER AIR CHIPPER	-	-	
PNEUMATIC GRINDER MYTON	Sanding, grinding, chamfering, finishing	Chamfering, rough grinding, mold grinding	
PNEUMATIC DIE GRINDER AIR SONIC	Metal working, surface smoothing	Various grinding works	
PNEUMATIC BELT SANDER BELTON	Trimming, chamfering corner rounding	Spot smoothing, surface regulation, finish sanding	
PNEUMATIC DUST-FREE SANDER ORBITAL SANDER	Smoothing, intermediate finish sanding	Surface smoothing of steel products, finishing of pressed products	
PNEUMATIC COMPACT SANDER PALM ORBITAL SANDER	Smoothing, intermediate finish sanding	Surface smoothing of steel products, finishing of pressed products	
HANDY PNEUMATIC SANDER FREE SANDER	Surface sanding, rust & stain removal	Spot smoothing, corner rounding, surface smoothing	
PNEUMATIC RECIPROCATING SANDER LINE SANDER	Plane sanding, groove sanding	Spot smoothing, surface regulation	
PORTABLE PRECISION FINISHING FILE SUPER HAND	Precision filing of flash, chamfering, sanding, groove finishing	Trimming, filing in narrow space, surface regulation	
PNEUMATIC HACKSAW SUPER SAW	Cuts with small radii	To cut mild steel plates, aluminum, plastics and other materials	
PNEUMATIC HAND DRILL AIR DRILL	Various drilling works	Various drilling works	
PORTABLE BEVELING TOOLS BEVELER	Chamfering of dies and machine	-	
PNEUMATIC RADIAL CHAMFERING TOOL CIRCUIT BEVELER	Beveling of large workplaces of dies and machines	Beveling of steel plate	

HI CUPLA Series

**Machine Tools, Linear Moter Driven
Free Piston System, delvo, Spring Balancer**

NITTO KOHKI Group

NOTES ON USING TOOLS — Important Safety Instructions

CONTENTS

	Welding	Painting	Metal Casting & Forging	AUTOMOTIVE & SHIP BUILDING	Chemical Engineering	Wood Working & Art	Construction	Page
	Spatter, chips & sludge scaling	-	Sand blasting & chiseling	Rust scaling, welded-part finish	-	-	Surface coarsening of stone and concrete products	3-4
	Flux chiseling, plaster chiseling	Paint chiseling	Trimming, sand chiseling	Various automotive repair works	-	-	Concrete breaking, chiseling of stick	5-6
	Spatter, sludge and rust chiseling, scaling	Paint chiseling	Black surface scaling, scaling of ingot remnant in ladle	Removal of weeds, shells, concrete chipping	-	-	Concrete chiseling from framework, removal of linoleum from floor base	7
	-	Paint chipping	Sand chipping	Removal of weeds, shells, etc., concrete chipping	-	-	Chipping of stone products	8
	Bead grinding, cross section grinding	Grinding of pre-painted surface, buffing, wirebrushing	Trimming, chamfering	Additional grinding, rust removal, surface smoothing	-	Sanding	Chamfering of stone products, honing	9-10
	Bead grinding	Pre-painted surface regulation	Mold correction, trimming	Precision grinding of parts	Grinding of pipe cross section and inner surface	Correction grinding of molded products, rough grinding	Additional grinding of construction materials & parts	11-12
	Bead grinding, rust removal, chamfering, section finishing	Rough grinding, rust & paint removal, spot smoothing	Trimming, chamfering, spatter grinding, die-cast finishing	Welding chip grinding, finish grinding, fitting	Grinding of pipe & equipment surface face section	Finish sanding of furniture, profile correction of plastic products	Grinding of parts & elements, repair services of tools	13
	Surface sanding of pre-welded part	Ground work sanding	Trimming, surface finishing of die-casting	Correction of grinding (finish works)	Precision finishing	Precision sanding	Surface sanding of constructed materials	14
	Surface sanding of pre-welded part	Ground work sanding	Trimming, surface finishing of die-casting	Correction of grinding (finish works)	Precision finishing	Precision sanding	Surface sanding of constructed materials	15
	-	Sanding of pre-painted, plastered surface, water sanding	Mold correction	Paint sanding of automotive body	Sanding of plastered surface, and test piece surface	Finish sanding, curved surface sanding, sanding of router groove	Sanding of stone products and floor materials	16
	-	Sanding of plastered surface, intermediate finish sanding	Mold correction	Paint sanding of automotive body	Synthetic resin sanding	Rough finish sanding	Inner surface sanding of channeled parts	17
	Finish filing	Precision filing of pre-painted surface, sanding	Trimming	Trimming, precision sanding of parts	Filing, superfine filing for profile correction	Filing, superfine filing for profile correction	Correction sanding of metal parts	18
	-	-	-	To cut the body plate of automotive vehicles or shaped steel	To cut fiber plates. To cut fiber-reinforced plastic plates	-	-	19
	Initial boring for gas cutting by welder	Paint scrambling (w/attachment)	-	Drilling, removal of spot-welded parts	-	Drilling	Sash works	19
	-	Chamfering of steel plate	-	Chamfering of steel plate	-	-	Chamfering of steel plate	20-21
	Surface beveling of shape steel pre-welded	-	Beveling of cast molds (HB-15B)	-	-	-	Beveling of columns (HB-15B)	22



23

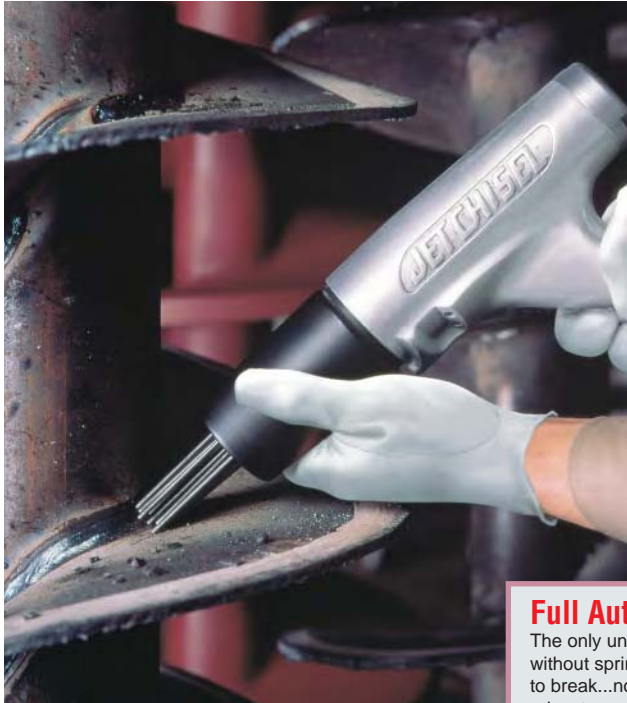
24

25

26

JET CHISEL

Powerful scaling with multi-needles

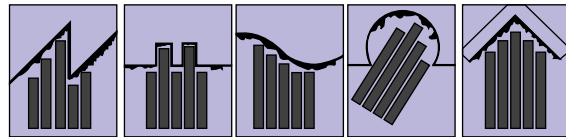


Never skip a blow, cleans and descales all jobs fast. Gets into extremely restricted areas...

An asset in any industry...de-slugging, de-sputtering welds, cleaning, castings, brick, stonework, and other materials. Jet Chisel is a prime pneumatic performer in each of these and other tough job areas.

Maximum performance in a light-weight, minimum-size air tool, Jet Chisel delivers years of trouble-free, efficient operation. And it's a tool that gets all the way down to the surface of matters.

Quick, Jet Chisel needles adjust to any surface contour automatically. They get deep into corners, all the way into uneven surfaces, all types of curvatures making it a tool no shop should be without. It's an equally efficient time-saver in ship-board applications, too.

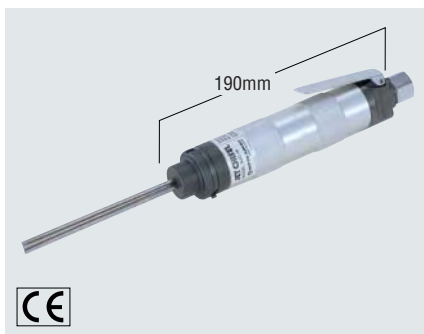


Full Automatic System

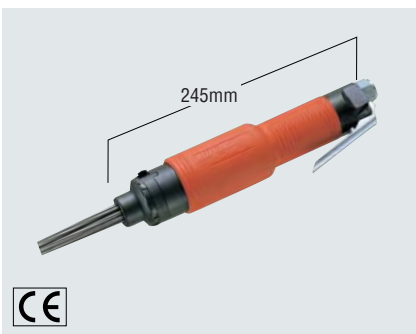
The only unit of it's kind on the market without springs. This means no springs to break...no irregular power... and the advantage of low air consumption.



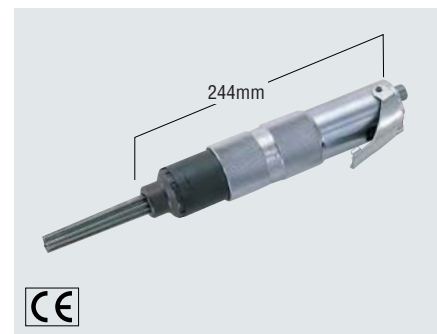
Model **AJC-16** Slim Type
(3 pcs. of needles)



Model **JT-20** Popular Type



Model **JEX-20** Low Vibration Type



Specifications

Model	AJC-16	JT-20	JEX-20
Rated Air Pressure MPa {kgf/cm ² }	0.59 {6}	0.59 {6}	0.59 {6}
Air Consumption(No load) m ³ /min	0.07	0.2	0.2
Stroke Speed min ⁻¹	6,000	4,000	4,000
Needles to be used mm	OD 3 x 180 (3pcs.)	OD 2 x 180 (29pcs.) or OD 3 x 180 (12pcs.)	OD 2 x 180 (29pcs.) or OD 3 x 180 (12pcs.)
Hose Size inch	3/8	3/8	3/8
Mass (Weight) kg	0.98	2.4	2.4

Standard Accessories	AJC-16	JT-20	JEX-20
	<ul style="list-style-type: none"> • Needle OD 3mm x 180 mm : 3 pcs. (Needle OD 3mm x 180 mm : 3 pcs. on the body) • Bushing PT3/8 x NPT3/8 : 1 pc. • Hose Nipple PT3/8 x 3/8 : 1 pc. 	<ul style="list-style-type: none"> • Needle OD 3mm x 180 mm : 12 pcs. (Needle OD 3mm x 180 mm : 12 pcs. on the body) • Bushing PT3/8 x NPT3/8 : 1 pc. • Hose Nipple PT3/8 x 3/8 : 1 pc. 	<ul style="list-style-type: none"> • Needle OD 3mm x 180 mm : 24 pcs. (12 pcs.) (Needle OD 3mm x 180 mm : 12 pcs. on the body) • Bushing PT3/8 x NPT3/8 : 1 pc. • Hose Nipple PT3/8 x 3/8 : 1 pc.

SCALING

NEEDLE SCALER **JET CHISEL**

Model **JC-16** Lightweight Type



Model **JEX-24** Universal Type



Model **JEX-28** Heavy-duty Type



Model **JEX-2800**



Specifications

Model	JC-16	JEX-24	JEX-28	JEX-2800
Rated Air Pressure MPa (kgf/cm ²)	0.59 {6}	0.59 {6}	0.59 {6}	0.63 {6.4}
Air Consumption (No load) m ³ /min	0.15	0.27	0.35	0.43
Stroke Speed min ⁻¹	4,000	4,000	4,500	3,700
Needles to be used mm	OD 2 x 150 (29pcs.)	OD 2 x 180 (53pcs.) or OD 3 x 180 (23pcs.)	OD 2 x 180 (66pcs.) or OD 3 x 180 (28pcs.) or OD 4 x 180 (14pcs.)	
Hose Size inch	3/8	3/8	3/8	3/8
Mass (Weight) kg	1.4	2.7	3.5	3.1

Standard Accessories	JC-16	JEX-24	JEX-28	JEX-2800
	<ul style="list-style-type: none"> Needle OD 2mm x 150 mm : 29 pcs. (Needle OD 2mm x 150 mm : 29 pcs. on the body) Bushing PT3/8 x NPT3/8 : 1 pc. Hose Nipple PT3/8 x 3/8 : 1 pc. 	<ul style="list-style-type: none"> Needle OD 3mm x 180 mm : 23 pcs. on the body Hex. Socket Screw Key 6 mm : 1 pc. Bushing PT3/8 x NPT3/8 : 1 pc. Hose Nipple PT3/8 x 3/8 : 1 pc. 	<ul style="list-style-type: none"> Needle OD 4mm x 180 mm : 14 pcs. (Needle OD 3mm x 180 mm : 28 pcs. on the body) Needle Supporter OD 4mm : 1pc. Bushing : 1 pc. Hose Nipple : 1 pc. 	<ul style="list-style-type: none"> Needle OD 4mm x 180 mm : 14 pcs. (Needle OD 3mm x 180 mm : 28 pcs. on the body) Needle Supporter OD 4mm : 1pc. Bushing : 1 pc. Hose Nipple : 1 pc.

Electric Needle Scaler

Model **EJC-32A**



Standard Accessories	EJC-32A
	<ul style="list-style-type: none"> Needle OD 3mm x 180 mm : 30 pcs. (15 pcs.) Hex. Socket Screw Key 6 mm : 1 pc.

The same excellent performance as our air tool!

Operated with standard electric supply to households. Special long and slim barrel design suitable for narrow corners.

Double-insulated motor does not need grounding.

Free subhandle position best fit to your working situation.

Specifications

Model	EJC-32A	
Power Supply	115 VAC 60Hz	230 VAC 50Hz
Rated Power Consumption W	300	300
Rated Current A	2.8	1.4
Rated Duty minutes	2.5	
Stroke Speed min ⁻¹	3,000	
Needles to be used mm	OD 2 x 180 (32 pcs.) or OD 3 x 180 (15 pcs.)	
Power Cord Length m	5	
Mass (Weight) kg	4.5	

Optional Needles



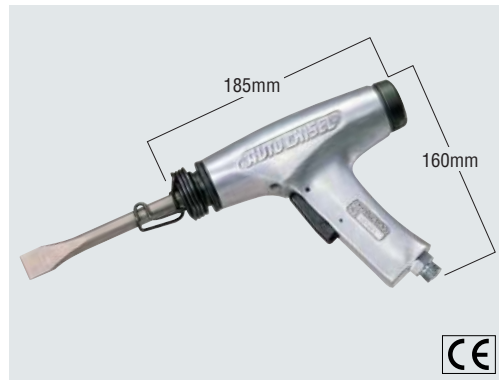
Part No.	Part Name	Q'ty	Part No.	Part Name	Q'ty
TA98780	Needles OD 2 x 150 mm	100 pcs.	TA98783	Needles OD 4 x 180 mm	50 pcs.
TA98781	Needles OD 2 x 180 mm	100 pcs.	TA9A220	Needles OD 4 x 300 mm	50 pcs.
TA9A213	Needles OD 2 x 300 mm	50 pcs.	TA9A221	Needles OD 4 x 500 mm	50 pcs.
TA9A214	Needles OD 2 x 500 mm	50 pcs.	TP00338	Needles Supporter for JT-20, JEX20	1 pc.
TA98782	Needles OD 3 x 180 mm	100 pcs.	TP02244	Needles Supporter OD 2 for JEX-24	1 pc.
TA9A216	Needles OD 3 x 300 mm	50pcs.	TP01499	Needles Supporter OD 2 for JEX-28	1 pc.
TA9A217	Needles OD 3 x 500 mm	50pcs.	TQ05210	Needles Supporter OD 2 for AJC-16	1 pc.
TA9A218	Needles OD 3 x 800 mm	50pcs.	-	-	-

AUTO CHISEL

A special spool valve inside grip assures excellent durability



Model **A-300**



The A-300 Auto Chisel is designed for speeding up the repair and sheet metal works of automobiles, etc. Being light and powerful, labor can be reduced remarkably.

This tool enables the work to be done in narrow space where ordinary hammering work is impossible. Thus the skill usually needed in hammering work is eliminated. The respective parts employ high material and are subjected to high precision process.

Standard Accessories	<ul style="list-style-type: none"> • Bushing PT1/4 x NPT1/4 : 1 pc. • Hose Nipple PT1/4 x 1/4 : 1 pc. • Eye Protection : 1 pc.
-----------------------------	---

Specifications

Model	A-300
Rated Air Pressure MPa {kgf/cm ² }	0.59 {6}
Air Consumption (No load) m ³ /min	0.3
Stroke Speed min ⁻¹	2,600
Hose Size inch	1/4
Mass (Weight) kg	1.7

Optional Attachments

Part No.	Part Name	Q'ty	Part No.	Part Name	Q'ty
TP00572	No.1001 Blank Chisel	1 pc.	TP00584	No.1013 Fork Chisel 24	1 pc.
TP00573	No.1002 Flat Chisel	1 pc.	TA90051	No.1014 Panel Crimper	1 pc.
TP04606	No.1003 Sheet Metal Chisel A	1 pc.	TP00586	No.1016 Fork Chisel 35	1 pc.
TP00575	No.1004 Sheet Metal Chisel B	1 pc.	TP00585	No.1017 Fork Chisel 15	1 pc.
TP00576	No.1005 Silencer Cutting Chisel	1 pc.	TP00589	No.1018 Scraper 38mm	1 pc.
TP00577	No.1006 Rubber Bushing Remover	1 pc.	TP00590	No.1019 Scraper 60mm	1 pc.
TP00578	No.1007 Spot Weld Booster	1 pc.	TP00591	No.1020 Concave Scraper 60mm	1 pc.
TP00579	No.1008 Bushing Tool	1 pc.	TP04995	No.1023 Sheet Metal Chisel C	1 pc.
TP00580	No.1009 Punch	1 pc.	TP05244	No.1024 Moilpoint Chisel	1 pc.
TP00581	No.1010 Bushing Removing Tool	1 pc.	TP05775	No.1025 Rivet Removing Punch	1 pc.
TP00582	No.1011 Sheet Metal Punch	1 pc.	TP05801	No.1026 Caulking Chisel	1 pc.
TP00583	No.1012 Bending Chisel 20mm	1 pc.	-	-	-

Applications and wide variety of optional attachments

No. 1001 Blank Chisel

For a variety of sheet metal work, bending, and rivet closing jobs.



No. 1002 Flat Chisel

Puts increased efficiency into scraping, peeling spot welds, and cutting off bolts and pins.



No. 1003 Sheet Metal Chisel A

Cuts shapes in sheet metal fast.



No. 1004 Sheet Metal Chisel B

Just the chisel for cutting off sheet metal body panel.



No. 1005 Silencer Cutting Chisel

A quick cut-off chisel for muffler piping.



No. 1006 Rubber Bushing Remover

Helps you remove idle arm sleeves and bushings in record time.



No. 1007 Spot Weld Booster

Ideal for peeling off spot welded points and cutting off pins.



No. 1008 Bushing Tool

Puts speed and ease into the job of bushing insertion.



No. 1009 Punch

For driving out pins and rivets, and fitting and removing bearings and races.



No. 1010 Bushing Removing Tool

A faster servicing aid in removing bushings.



No. 1011 Sheet Metal Punch

Opens holes for bolts and rivets.



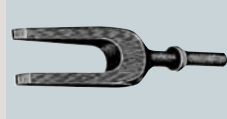
No. 1012 Bending Chisel

Helps you in peening and removing slag around welds



No. 1013 Fork Chisel 24

Disconnecting tie rod ends and ball joints.



No. 1014 Panel Crimper

Bending sheet metal: external body plates, doors, fenders, etc.



No. 1016 Fork Chisel 35

Disconnecting tie rod end ball joints.



No. 1017 Fork Chisel 15

Disconnecting tie rod end ball joints.



No. 1018 38 mm Scraper

Peeling paint & removing rust from iron plate.



No. 1019 60 mm Scraper

Peeling paint & removing rust from iron plate.



No. 1020 60 mm Concave Scraper

Removing incrustation from pipe.



No. 1023 Sheet Metal Chisel C

Cuts shapes in sheet metal fast.



No. 1024 Mollpoint Chisel

Breaking-up concrete, removing sand from castings.



No. 1025 Rivet Removing Punch

Removing rivets from brake lining of heavy duty cars.



No. 1026 Rivet Caulking Chisel

Caulking brake lining of heavy duty cars.



SUPER HELEN

Industrial and shipboard descaling and cleaning



The unique scaler performs scores of industrial and shipboard descaling and cleaning jobs quickly, efficiently and economically.

Removes old paint and rust, dislodges solid matter or scale tar. Removes concrete adhering to panels, conveyors, mixers. Strips off bark from lumber, and scores of other applications.

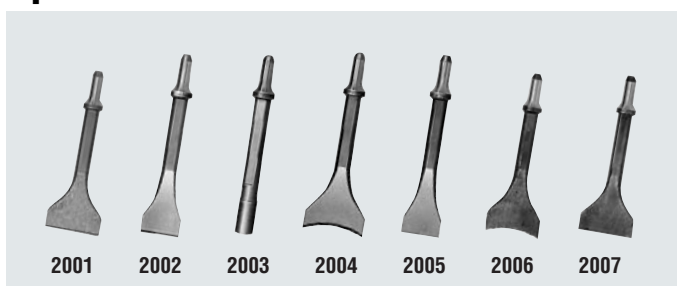


Specifications

Model	S-250	S-500	S-1000
Rated Air Pressure MPa {kgf/cm ² }	0.59 {6}	0.59 {6}	0.59 {6}
Air Consumption (No load) m ³ /min	0.27	0.27	0.27
Stroke Speed min ⁻¹	2,500	2,500	2,500
Size of Chisel Chuck mm	OD 12.7	OD 12.7	OD 12.7
Hose Size inch	3/8	3/8	3/8
Dimension mm	630 x OD 49	890 x OD 49	1,470 x OD 49
Mass (Weight) kg	4.1	4.7	6.1

Standard Accessories	S-250	S-500	S-1000
	<ul style="list-style-type: none"> • Bend Scraper 38 (2005) : 1 pc. on the body • Nipple M16 xM16 : 1 pc. • Hose Lock Nut M16 : 1 pc. • Hose Nipple 3/8 : 1 pc. 	<ul style="list-style-type: none"> • Bend Scraper 38 (2005) : 1 pc. on the body • Nipple M16 xM16 : 1 pc. • Hose Lock Nut M16 : 1 pc. • Hose Nipple 3/8 : 1 pc. 	<ul style="list-style-type: none"> • Bend Scraper 38 (2005) : 1 pc. on the body • Nipple M16 xM16 : 1 pc. • Hose Lock Nut M16 : 1 pc. • Hose Nipple 3/8 : 1 pc.

Optional Chisels



Part No.	Part Name	Q'ty
TP03645	Scraper 60 mm (2001)	1 pc.
TP03646	Scraper 38 mm (2002)	1 pc.
TP03647	Blank Chisel (2003)	1 pc.
TP04010	Concave Scraper 60 mm (2004)	1 pc.
TP04552	Bend Scraper 38 mm (2005)	1 pc.
TP04553	Concave Bend Scraper 60 mm (2006)	1 pc.
TP04554	Bend Scraper 60 mm (2007)	1 pc.

AIR CHIPPER

Now chipping after welding is easy!



The AIR CHIPPER are compact, lightweight and economical tools to have on hand for all kinds of chipping work. Easy chisel replacement is made to excellent operation. The straight design is suitable for operation at narrow and deep places.

In addition, the ACH-16 has many feature on the followings.....

- Idle running proof structure adopted. No blowing without touching the work piece by the chisel.
- Vibration on operation is reduced by low vibration structure. Especially effective on continuous operation.
- Easy to handle, compact lightweight type and weight only one kilogram.

Model **ACH-16**



Model **CH-24**



Specifications

Model	ACH-16	CH-24
Rated Air Pressure MPa {kgf/cm ² }	0.59 {6}	0.59 {6}
Air Consumption (No load) m ³ /min	0.15	0.2
Stroke Speed min ⁻¹	6,000	4,000
Size of Chisel Chuck mm	OD 10.5	12.7 sq.
Hose Size inch	3/8	3/8
Mass (Weight) kg	0.9	1.7

Standard Accessories

- Flat Chisel 20 x 120 : 1 pc. on the body
- Bushing PT3/8 x NPT3/8 : 1 pc.
- Hose Nipple PT3/8 x 3/8 : 1 pc.
- Curved Flat Chisel 25 x 155 : 1 pc. on the body
- Bushing PT3/8 x NPT3/8 : 1 pc.
- Hose Nipple PT3/8 x 3/8 : 1 pc.

Optional Chisels



Chisel for Air Chipper ACH-16

Part No.	Part Name	Q'ty
TQ03431	Flat Chisel 20 x 120	1 pc.
TQ03453	Curved Flat Chisel 20 x 120	1 pc.
TQ03549	Flat Chisel 11 x 120	1 pc.
TQ03452	Flat Chisel 20 x 180	1 pc.

Chisel for Air Chipper CH-24

Part No.	Part Name	Q'ty
TP15234	Straight Flat Chisel 12.7 x165	1 pc.
TP15233	Flat Chisel 25 x 155	1 pc.
TP15166	Curved Flat Chisel 25 x 155	1 pc.



A wide variety of models are available to a particular job!



Model **MAG-50** Depressed center wheel OD 125mm



- Rear exhaust system.
- Vibration-damping side handle.
- Spindle lock for the replacement of wheel.
- Plastic housing prevents cold hand.
- Side handle can be mounted to right or left.
- Built in governor.

Powerful Motor for fast and efficient grinding.

Specifications

Model	MAG-50
Rated Air Pressure MPa {kgf/cm ² }	0.59 {6}
Air Consumption (No load) m ³ /min	0.87
Free Speed min ⁻¹ (rpm)	12,000
Depressed center wheel mm	OD 125
Hose Size inch	1/4
Mass (Weight) kg	2.2

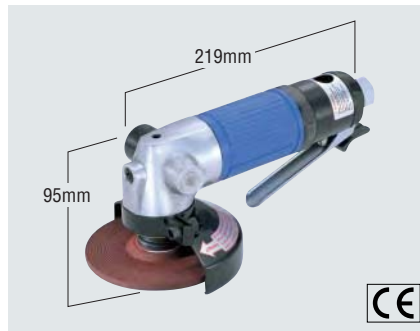
Standard Accessories

- Air Hose Sub Ass'y : 1 set
- Exhaust Hose Ass'y : 1 set
- Side Handle Ass'y : 1 set
- Hex. Socket Screw Key 4mm : 1 pc.
- Pin Face Wrench : 1 pc.
- Bushing PT3/8 x NPT 3/8 : 1 pc.

Model **MAG-25B** Depressed center wheel OD 58mm



Model **MAGW-40** Depressed center wheel OD 100mm



Model **MAG-70** Depressed center wheel OD 180mm



Specifications

Model	MAG-25B	MAGW-40	MAG-70
Rated Air Pressure MPa {kgf/cm ² }	0.59 {6}	0.59 {6}	0.59 {6}
Air Consumption m ³ /min	0.4 (No load)	0.68 (No load) 0.82 (No load)	0.69 (No load) 1.15 (Load)
Free Speed min ⁻¹ (rpm)	22,000	13,000	7,100
Depressed center wheel mm	OD 58	OD 100	OD 180
Hose Size inch	1/4	3/8	1/2
Mass (Weight) kg	0.55	1.55	3.4

Standard Accessories

- Abrasive Wheel AC #80 : 1 pc.
- Hex. Socket Screw Key 5 mm : 1 pc.
- Single Ended Spanner 14 mm : 1 pc.
- Bushing PT1/4 x NPT1/4 : 1 pc.
- Hex. Socket Screw Key 6 mm : 1 pc.
- Single Ended Spanner 17 mm : 1 pc.
- Bushing PT3/8 x NPT3/8 : 1 pc.
- Hex. Socket Screw Key 6 mm : 1 pc.
- Hex. Socket Screw Key 10 mm : 1 pc.
- Single Ended Spanner 41 mm : 1 pc.
- Bushing PT1/2 x NPT1/2 : 1 pc.

Model **MAS-20B** Abrasive disc 1", OD 1-1/2" & 2"



Model **MAS-40** Abrasive disc OD 100mm



Model **MAS-70** Abrasive disc OD 180mm



Specifications

Model	MAS-20B	MAS-40	MAS-70
Rated Air Pressure MPa {kgf/cm ² }	0.59 {6}	0.59 {6}	0.59 {6}
Air Consumption (No load) m ³ /min	0.4	0.45	0.98
Free Speed min ⁻¹ (rpm)	22,000	13,000	8,000
Abrasive Disc	OD 1", OD 1-1/2" and OD 2"	OD 100 mm	OD 180 mm
Hose Size inch	1/4	3/8	3/8
Mass (Weight) kg	0.5	0.9	1.9

Standard Accessories

- Single Ended Spanner 14 mm : 1 pc.
- Cipla 200-20SH : 1pc.

- Hex. Socket Screw Key 6 mm : 1 pc.
- Single Ended Spanner 17 mm : 1 pc.
- Bushing PT1/4 x NPT1/4 : 1 pc.
- Hose Nipple NPT 1/4 x 3/8 : 1 pc.

- Hex. Socket Screw Key 10 mm : 1 pc.
- Single Ended Spanner 41 mm : 1 pc.
- Cipla 200-30SH : 1pc.

Optional Parts

Grinding Disc for MYTON MAG-25B



Part No.	Part Name	Q'ty
TB00119	AC 46 x OD 58	5 pcs.
TB00120	AC 60 x OD 58	5 pcs.
TB00121	AC 100 x OD 58	5 pcs.
TB00155	AC 80 x OD 58	10 pcs.

Disc Pad for MYTON MAS-20B



Part No.	Part Name	Q'ty
TP18576	PAD (OD 1") No.1	1 pc.
TP18575	PAD (OD 1-1/2") No.2	1 pc.
TP18574	PAD (OD 2") No.3	1 pc.

OD 1" Paper for MYTON MAS-20B



Part No.	Part Name	Q'ty
TA9B101	Paper OD 1" x #40	25 pcs.
TA9B102	Paper OD 1" x #60	25 pcs.
TA9B103	Paper OD 1" x #80	25 pcs.
TA9B104	Paper OD 1" x #100	25 pcs.

Part No.	Part Name	Q'ty
TA9B105	Paper OD 1" x #120	25 pcs.
TA9B106	Paper OD 1" x #180	25 pcs.
TA9B107	Paper OD 1" x #240	25 pcs.
TA9B108	Paper OD 1" x #320	25 pcs.

OD 1-1/2" Paper for MYTON MAS-20B



Part No.	Part Name	Q'ty
TA9B109	Paper OD 1-1/2" x #40	25 pcs.
TA9B110	Paper OD 1-1/2" x #60	25 pcs.
TA9B111	Paper OD 1-1/2" x #80	25 pcs.
TA9B112	Paper OD 1-1/2" x #100	25 pcs.

Part No.	Part Name	Q'ty
TA9B113	Paper OD 1-1/2" x #120	25 pcs.
TA9B114	Paper OD 1-1/2" x #180	25 pcs.
TA9B115	Paper OD 1-1/2" x #240	25 pcs.
TA9B116	Paper OD 1-1/2" x #320	25 pcs.

OD 2" Paper for MYTON MAS-20B



Part No.	Part Name	Q'ty
TA9B117	Paper OD 2" x #40	25 pcs.
TA9B118	Paper OD 2" x #60	25 pcs.
TA9B119	Paper OD 2" x #80	25 pcs.
TA9B120	Paper OD 2" x #100	25 pcs.

Part No.	Part Name	Q'ty
TA9B121	Paper OD 2" x #120	25 pcs.
TA9B122	Paper OD 2" x #180	25 pcs.
TA9B123	Paper OD 2" x #240	25 pcs.
TA9B124	Paper OD 2" x #320	25 pcs.

AIR SONIC



The perfect tool for all tasks!

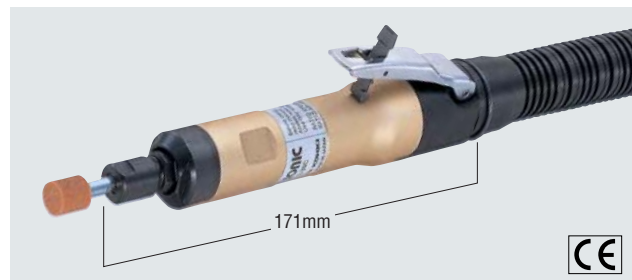
The high-speed mighty mite with super-efficient silencer and rear exhaust system.

Wonder works on all metals, wood, and plastics, even extremely hard and exotic materials. And now that efficiency is upgraded with the addition of an air silencer and new rear exhaust system for grinding dust-it's all the more the perfect tool for toolrooms and model shops. The super efficiency of the silencer makes it possible for all craftsmen to work longer with less irritation due to noise. For precision grinding, deburring machines parts, grinding small castings, removing welding slags, shaping and finishing wood, glass and plastics. This is the compact, easy handling air tool for all tasks.

Model **L-25B** For all grinding, deburring and finishing jobs



Model **L-35C** Special design for rotary bars



Specifications

Model	L-25B	L-35C
Rated Air Pressure MPa {kgf/cm ² }	0.59 {6}	0.59 {6}
Air Consumption (No load) m ³ /min	0.4	0.35
Free Speed min ⁻¹ (rpm)	27,000	37,500
Size of Collet Chuck mm	6	6
Hose Size inch	1/4	1/4
Mass (Weight) kg	0.6 (without hose)	0.45 (without hose)

Standard Accessories

- Single Ended Spanner 14mm : 1 pc.
- Mounted Wheel No.2 : 1 pc. • Chunk Pin : 1 pc.
- Mounted Wheel No.3 : 1 pc. • Bushing PT1/4 x NPT 1/4 : 1 pc.
- Single Ended Spanner 14mm : 1 pc.
- Mounted Wheel 13 x 13 x 6 x 38 : 1 pc.
- Bushing PT1/4 x NPT 1/4 : 1 pc.

Grinding Stone for AIR SONIC L-25B (Optional)

No.1 OD 16 x 32 No.TA9A277	No.2 OD 17 x 32 No.TA9A278	No.3 OD19 x 20 No.TA9A279	No.4 OD 25 x 25 No.TA9A280
No.5 OD 19 x 28 No.TA9A281	No.6 OD 25 x 13 No.TA9A282	No.7 OD 32 x 10 No.TA9A283	No.8 OD 16 boll No.TA9A284

Rotary bar for AIR SONIC L-35C (Optional)

No.1 CB1C-106 No.TP10594	No.2 CB2C-105 No.TP10595	No.3 CB3C-103 No.TP10596	No.4 CB4C-103 No.TP10597
No.5 CB5C-104 No.TP10598	No.6 CB6C-102 No.TP10599	No.7 CB7C-103 No.TP10600	No.8 CB8C-105 No.TP10601

Model
AL-55 High Speed Rotation 56,500 rpm



- Smooth high speed rotation and low vibration enables precision grinding.
- Stepless speed change from 0 to 56,500 rpm meets a wide range of grinding applications.
- Compact & light weight for comfortable operation over long periods of time.
- Triangular grip fits operator's hand.
- Special plastic grip prevents cold hands and absorbs vibration.
- Rear exhaust system.



Specifications

Model		AL-55
Rated Air Pressure MPa {kgf/cm ² }		0.59 {6}
Air Consumption (No load) m ³ /min		0.17
Free Speed min ⁻¹ (rpm)		56,500
Size of Collet Chuck mm		3
Hose Size inch		1/4
Mass (Weight) kg		0.25
Standard Accessories	• HI-CUPLA HA-65SN : 1 pc. • Spanner 7 : 1 pc. • Mounted Wheel 5 x 13 x 3 : 1 pc. • Spanner 7 x 9 : 1 pc.	

Smooth rotation and stepless speed change for precision grinding

Grinding Stone (Optional)



No.TB00137

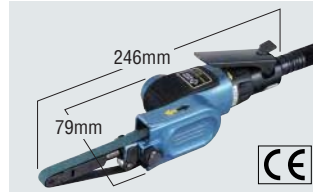
• 5 dia. x 13 x 3 mm : 10pcs./set

BELTON Rear exhaust system

Suitable for sanding jobs in narrow spaces, recessed corners or on curved surfaces.



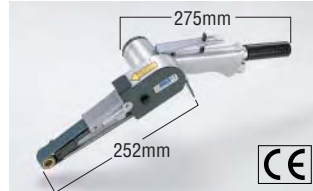
Model **BB-10** Belt Size 10 mm (W)



Model **B-10B** Belt Size 10 mm (W)



Model **B-20C** Belt Size 20 mm (W)



Model **B-30B** Belt Size 30 mm (W)



Specifications

Model	BB-10	B-10B	B-20C	B-30B
Rated Air Pressure MPa {kgf/cm ² }	0.63 {6.4}	0.59 {6}	0.59 {6}	0.59 {6}
Air Consumption (No load) m ³ /min	0.25	0.4	0.52	0.68
Motor Free Speed min ⁻¹ (rpm)	16,000	17,000	17,000	14,000
Belt Speed m/min	1,000	1,060	2,500	1,800
Hose Size inch	1/4	1/4	1/4	1/4
Mass (Weight) kg	0.6	0.9	1.4	2.9

Standard Accessories

- Hex. Socket Screw Key 1.5 mm : 1 pc.
- Cupla HA-65SN : 1 pc.
- Abrasive Belt Z#120 x 10 mm : 1 pc.
- Abrasive Belt Z#180 x 10 mm : 1 pc.
- Abrasive Belt Z#240 x 10 mm : 1 pc.
- Bushing PT1/4 x NPT1/4 : 1 pc.
- Hex. Socket Screw Key 4 mm : 1 pc.
- Convex Shoe : 1 pc.
- Abrasive Belt Z#60 x 20 mm : 1 pc.
- Abrasive Belt Z#80 x 20 mm : 1 pc.
- Abrasive Belt Z#100 x 20 mm : 1 pc.
- Abrasive Belt Z#120 x 20 mm : 1 pc.
- Bushing PT1/4 x NPT1/4 : 1 pc.
- Hex. Socket Screw Key 5 mm : 1 pc.
- Convex Shoe : 1 pc.
- Abrasive Belt Z#60 x 30 mm : 1 pc.
- Abrasive Belt Z#80 x 30 mm : 1 pc.
- Abrasive Belt Z#100 x 30 mm : 1 pc.
- Bushing PT1/4 x NPT1/4 : 1 pc.
- Hex. Socket Screw Key 4 mm : 1 pc.
- Hex. Socket Screw Key 1.5 mm : 1 pc.
- Abrasive Belt Z#60 x 10 mm : 1 pc.
- Abrasive Belt Z#80 x 10 mm : 1 pc.
- Abrasive Belt Z#100 x 10 mm : 1 pc.
- Abrasive Belt Z#120 x 10 mm : 1 pc.

Optional Parts

Optional Parts for B-10B

Part No.	Part Name	Q'ty
TP14770	Shoe 6 (for 6 mm belt)	1 pc.
TA99052	Bracket 6 Ass'y (for 6 mm belt)	1 set
TA99041	Guard Pulley Bracket Ass'y	1 set
TB01844	Belt Cover Ass'y (*1)	1 set

*1: For collecting the dust

Abrasive Belt for B-10B

Part No.	Part Name	Q'ty
TB00241	Abrasive Belt Z#60 x 6 mm	50 pcs.
TB00242	Abrasive Belt Z#80 x 6 mm	50 pcs.
TB00243	Abrasive Belt Z#100 x 6 mm	50 pcs.
TB00244	Abrasive Belt Z#120 x 6 mm	50 pcs.
TB00245	Abrasive Belt Z#180 x 6 mm	50 pcs.
TB00246	Abrasive Belt Z#240 x 6 mm	50 pcs.
TA9A237	Abrasive Belt AA#400 x 6 mm	50 pcs.
TA9A064	Abrasive Belt Z#60 x 10 mm	50 pcs.
TB00076	Abrasive Belt Z#80 x 10 mm	50 pcs.
TB00077	Abrasive Belt Z#100 x 10 mm	50 pcs.
TB00247	Abrasive Belt Z#120 x 10 mm	50 pcs.
TB00248	Abrasive Belt Z#180 x 10 mm	50 pcs.
TB00249	Abrasive Belt Z#240 x 10 mm	50 pcs.
TA9A244	Abrasive Belt AA#400 x 10 mm	50 pcs.

Optional Parts for B-20C

Part No.	Part Name	Q'ty
TA99882	Idle Pulley Bracket A Ass'y	1 set
TP02004	Triangular Shoe	1 pc.
TB01868	Belt Cover Ass'y for B-20 (*1)	1 set
TB03329	Belt Cover Ass'y for EB-20 (*1)	1 set

*1: For collecting the dust

Abrasive Belt for B-20C

Part No.	Part Name	Q'ty
TA99605	Abrasive Belt Z#40 x 20 mm	20 pcs.
TA99606	Abrasive Belt Z#60 x 20 mm	20 pcs.
TA99607	Abrasive Belt Z#80 x 20 mm	20 pcs.
TA99608	Abrasive Belt Z#100 x 20 mm	20 pcs.
TA99609	Abrasive Belt Z#120 x 20 mm	20 pcs.
TB00250	Abrasive Belt Z#180 x 20 mm	20 pcs.
TB00251	Abrasive Belt Z#240 x 20 mm	20 pcs.
TA9A252	Abrasive Belt AA#280 x 20 mm	20 pcs.
TA9A253	Abrasive Belt AA#320 x 20 mm	20 pcs.
TA9A254	Abrasive Belt AA#400 x 20 mm	20 pcs.

Optional Parts for B-30B

Part No.	Part Name	Q'ty
TP04083	Convex Shoe for B-30B	1 pc.
TP01869	Belt Cover Ass'y for B-30B (*1)	1 set
TB03102	Offset Bracket Ass'y for EB-30	1 set
TB03330	Belt Cover Ass'y for EB-30 (*1)	1 set

*1: For collecting the dust

Abrasive Belt for B-30B

Part No.	Part Name	Q'ty
TB00252	Abrasive Belt Z#40 x 30 mm	20 pcs.
TB00253	Abrasive Belt Z#60 x 30 mm	20 pcs.
TB00254	Abrasive Belt Z#80 x 30 mm	20 pcs.
TB00255	Abrasive Belt Z#100 x 30 mm	20 pcs.
TB00256	Abrasive Belt Z#120 x 30 mm	20 pcs.
TB00257	Abrasive Belt Z#180 x 30 mm	20 pcs.
TB00258	Abrasive Belt Z#240 x 30 mm	20 pcs.
TA9A262	Abrasive Belt AA#280 x 30 mm	20 pcs.
TA9A263	Abrasive Belt AA#320 x 30 mm	20 pcs.
TA9A264	Abrasive Belt AA#400 x 30 mm	20 pcs.

ORBITAL SANDER

Compact yet extremely powerful.
Built-in adjustable speed regulator.

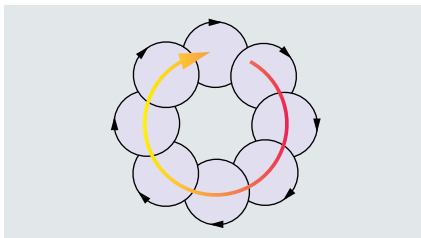
Model
OSV-60A



Sand and polish metal, wood, plastic to a super fine swirl-free finish.

Light weight, compact, powerful, whisper quiet, and adjustable speed regulator.

Productivity and efficiency increase with the orbital sander. The lightweight unit delivers the performance of heavy duty unit with less vibration and reduced operator fatigue.



Random orbital action creates a professional finish

The special construction includes the mounting of counter shaft below the rotor. This works in combination with the spindle and circular motions for an extra-fine finish. Speed adjustments allow selection for the best speed for the best job. Random orbital action eliminates swirl patterns and is suitable for polishing, too.

Specifications

Model	OSV-60A
Rated Air Pressure	MPa {kgf/cm ² } 0.59 {6}
Air Consumption (No load)	m ³ /min 0.68
Motor Free Speed	min ⁻¹ (rpm) 8,500
Orbit Diameter	mm OD 10
Paper Size	mm OD 150
Mass (Weight)	kg 2.0
Pad	for self stick papers

Standard Accessories

- Bushing PT1/4 x NPT1/4 : 1 pc.
- Spanner 17 : 1 pc.
- Brush : 1 pc.
- Abrasive Paper #40 : 1 pc.
- Abrasive Paper #60 : 1 pc.
- Abrasive Paper #80 : 1 pc.
- Abrasive Paper #120 : 1 pc.
- Dust Hose : 1 pc.
- Dust Bag : 1 pc.
- Brush : 1 pc.
- Hose Nipple : 1 pc.

Optional Accessories

Part No.	Part Name	Q'ty
TA99582	Abrasive Paper #40	100 pcs.
TA99583	Abrasive Paper #60	100 pcs.
TA99584	Abrasive Paper #80	100 pcs.
TA99585	Abrasive Paper #100	100 pcs.
TA99586	Abrasive Paper #120	100 pcs.
TA99587	Abrasive Paper #180	100 pcs.
TA99588	Abrasive Paper #240	100 pcs.
TA99589	Abrasive Paper #280	100 pcs.
TA99590	Abrasive Paper #320	100 pcs.
TA99591	Abrasive Paper #400	100 pcs.

PALM ORBITAL SANDER

Ergonomically designed plastic housing conforms to the operator's hand for greater control and comfort.



Model

APS-125/150



Random orbital action produces a high-quality swirl-free finish.

- Extremely light. APS-125 weights just 690g.
- Simple structure for easy maintenance.
- Extermely low vibration.
- Adjustable speed.

Applications

- Feather edging, metal preparation, and finishing work on body filler.
- Curved surface sanding and corner rounding in wood work

For Self Vacuum & Central Vacuum

Available from stock are Non Vacuum Models. You can modify Non Vacuum to Self Vacuum or Central Vacuum by adding a few extra parts.



Self Vacuum



Central Vacuum

Specifications

Model		APS-125	APS-150
Rated Air Pressure	MPa (kgf/cm ²)	0.59 {6}	0.59 {6}
Air Consumption (No load)	m ³ /min	0.45	0.45
Motor Free Speed	min ⁻¹ (rpm)	10,000	10,000
Orbit Diameter	mm	OD 5	OD 5
Paper Size	mm	OD 125	OD 150
Mass (Weight)	kg	0.69	0.72
Pad Mass (Weight)	kg	0.10	0.12

Standard Accessories

- Spanner 17 : 1 pc.
- Bushing PT1/4 x NPT1/4 : 1 pc.

FREE SANDER

Superlight, Quiet New low-vibration sander



Powerful turbine motor

This newly developed motor features a turbine disc and is capable of high speed orbits for super-fine finishing of all materials.

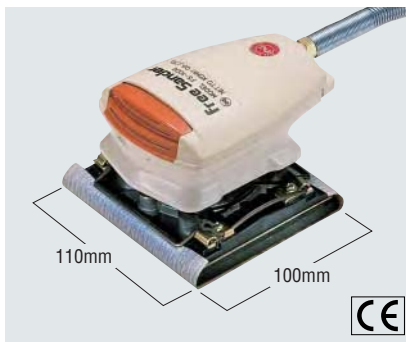
Small and Lightweight for Comfort and Convenience

Free Sander fits the hand like a glove. It's human-engineered to less tiring over longer periods of operation for big jobs, and compact enough to permit working easily in corners and other spots.

Minimized Hand Vibration

The turbine motor of FS-100C and the single-ball air motor of FS-50A are mounted directly onto the sanding pad to minimize the discomfort of hand vibration and lessen operator fatigue caused by vibration. This along with excellent control results in a finer finish on all surface materials.

Model FS-100C



Model FS-50A



Specifications

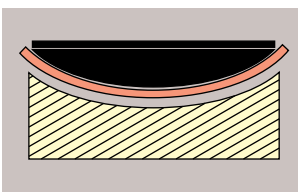
Model	FS-100C	FS-50A
Rated Air Pressure MPa {kgf/cm ² }	0.59 {6}	0.59 {6}
Air Consumption (No load) m ³ /min	0.2	0.14
Motor Free Speed min ⁻¹	20,000	15,000
Orbit Diameter mm	OD 1.5	OD 1.2
Pad Size mm	100 x 110	75 x 82
Paper Size mm	114 x 140	70 x 114
Mass (Weight) kg	0.5	0.5

Standard Accessories

- Hose E Ass'y : 1 set
- Bushing PT1/4 x NPT1/4 : 1 pc.
- Sandpaper #180 : 5 sheets.
- Sandpaper #240 : 5 sheets.

- Hose E Ass'y : 1 set
- Bushing PT1/4 x NPT1/4 : 1 pc.
- Sandpaper #180 : 5 sheets.
- Sandpaper #240 : 5 sheets.

Optional Accessories



Round-Pad for FS-100C

The pad is made of sponge rubber and conform easily to the shape being worked. Double-side tape is used with round pad.

For Free Sander FC-100

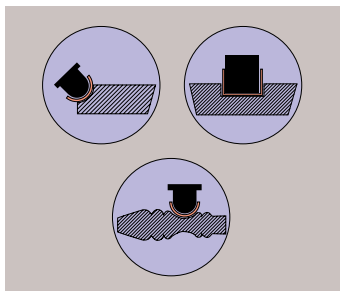
Part No.	Part Name	Q'ty
TA91472	T-Type Off-center Pad Ass'y	1 pc.
TA91473	T-Type Center Pad Ass'y	1 pc.
TA91474	Round Pad Ass'y	1 pc.
TA91678	Flexible Pad Ass'y	1 pc.
TP03803	Adhesive Spray	1 pc.
TP04270	Double Side Adhesive Tape	1 pc.
TA9A265	Sandpaper #100	200 pcs.
TA9A266	Sandpaper #120	200 pcs.
TA9A267	Sandpaper #150	200 pcs.
TA9A268	Sandpaper #180	200 pcs.
TA9A269	Sandpaper #240	200 pcs.
TA9A270	Sandpaper #280	200 pcs.
TA9A271	Sandpaper #320	200 pcs.
TB02235	Dust Collector Ass'y	1 pc.

For Free Sander FC-50

Part No.	Part Name	Q'ty
TA92733	T-Type Pad	1 pc.
TB02240	Dust Collector Ass'y	1 pc.

LINE SANDER

Sands to a clean finish and more in less time. Compact and light.



Special Sanding Pad

An accessory Block Rubber Pad Ass'y can be easily trimmed to conform the shape being worked.

Standard Accessories	
	<ul style="list-style-type: none"> • Hose E Ass'y : 1 set • Bushing PT1/4 x NPT1/4 : 1 pc. • Block Rubber Pad Ass'y : 1 set • Abrasive Paper #240 : 5 sheets • Abrasive Paper #320 : 5 sheets

Model **LS-10**



Light sanding with piston movement

A compact, lightweight and economical unit having amazingly low air consumption. Built rugged for long continuous hours of operation.

Incorporates no gears and other complicated mechanisms.



Double Piston Alignment

Special double-action minimizes both noise and vibration so the operator works in more comfort.

Specifications

Model	LS-10
Rated Air Pressure	MPa {kgf/cm ² } 0.59 {6}
Air Consumption (No load)	m ³ /min 0.11
Free Speed	min ⁻¹ 4,000
Stroke	mm 4
Pad Size	mm 55 x 103
Abrasive Paper Size	mm 57 x 140
Mass (Weight)	kg 0.75

Optional Accessories

Part No.	Part Name	Q'ty
TB02244	Dust Collector Ass'y	1 pc.

SUPER HAND

Super efficient way of easy filing, polishing and finishing



SUPER HAND replaces work.

SUPER HAND is ultra-small, ultra-lightweight; yet performs with the power and efficiency of a much larger tool to meet user requirements of filing, chamfering and other jobs.

It comes with the quick-change tool points for different jobs.

You can work on steel, glass, brass, aluminium, wood and other materials silently.

It also handles scores of big jobs with speed and ease.

Model **SH-100A**



Model **ASH-800**



WEIGHT REDUCED BY HALF FOR COMFORTABLE OPERATION OVER LONG PERIOD OF TIME.

Flat Bastard File SF-13



Rat Tail File SF-10



Triangular Taper File SF-11



Half Round File (Rat Tail/Double Cut) SF-12



Specifications

Model	SH-100A	ASH-800
Rated Air Pressure MPa {kgf/cm ² }	0.59 {6}	0.59 {6}
Air Consumption (No load) m ³ /min.	0.24	0.23
Stroke Speed min ⁻¹	3,700	6,500
Stroke mm	9	8
Max. Shank dia.. of Points mm	OD 6.3	OD 5.5
Mass (Weight) kg	1.1	0.52

Standard Accessories

- | | |
|---|--|
| <ul style="list-style-type: none"> • Flat Bastard File SF-13 : 1 pc. • Rat Tail File SF-10 : 1 pc. • Triangular Taper File SF-11 : 1 pc. • Half Rounded File (Rat Tail/Double Cut) SF-12 : 1 pc. • Hex. Socket Screw Key 3 : 1 pc. • Bushing PT1/4 x NPT1/4 : 1 pc. | <ul style="list-style-type: none"> • Flat Bastard File SF-13 : 1 pc. • Rat Tail File SF-10 : 1 pc. • Triangular Taper File SF-11 : 1 pc. • Half Rounded File (Rat Tail/Double Cut) SF-12 : 1 pc. • Hex. Socket Screw Key 2.5 : 1 pc. • Hi Cupla (HA-65SNG) : 1 pc. |
|---|--|

Optional Accessories

Rubber Pad Ass'y for SH-100A



Sanding Pad Ass'y for ASH-800



For Super Hand SH-100A & ASH-800

Part No.	Part Name	Q'ty
TA9A222	Rat Tail SF-10	5 pcs.
TA9A223	Triangular Taper File SF-11	5 pcs.
TA9A224	Half Rounded File (Rat Tail/Double Cut) SF-12	5 pcs.
TA9A225	Flat Bastard File SF-13	5 pcs.
TA91752	Rubber Pad Ass'y for SH-100A	1 set
TB03887	Sanding Ass'y for ASH-800	1 set

SUPER SAW

Special double-piston system achieved low vibration while cutting speed improved!!

Model
SSW-110



SSW-110 has many feature on the followings.....

- Low vibration is achieved by the special design of double piston mechanism.
- New adoption of piston rings minimized power loss and improved cutting efficiency.
- Longer piston stroke improved cutting speed so much.
- Rear exhaust system for chip-scattering-free operation.
- New double-lock throttle lever prevents unintended.
- Cutting Capacity : Max. plate thickness 3mm (for Mild Steel)

Optional Accessories



Part No.	Part Name	Q'ty
TA9A005	Saw Blade 32	10 pcs.
TA9A011	Saw Blade 24	10 pcs.
TB00193	Saw Blade 18	10 pcs.
TB00192	Saw Blade 14	10 pcs.

Specifications

Model	SSW-110
Rated Air Pressure MPa {kgf/cm ² }	0.59 {6}
Air Consumption (No load) m ³ /min	0.29
Stroke Speed min ⁻¹	7,000
Stroke mm	11
Mass (Weight) kg	0.62

Standard Accessories
<ul style="list-style-type: none"> ● Saw Blade 32 : 2 pcs. ● Hex. Socket Screw Key 3 : 1 pc. ● Bushing PT1/4 x NPT1/4 : 1 pc.

AIR DRILL

The power and performance you need to drill deeper and faster

Model
AD-65B



Model
AD-100B



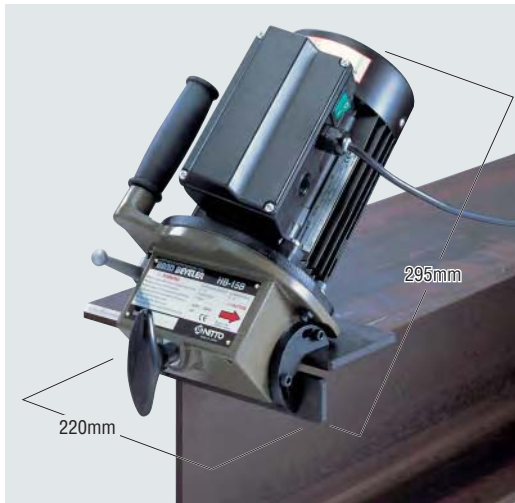
This patented silencer dramatically eliminates operation noise. Perfect for light and medium duty drilling. Extra light yet extra durable. Maximum efficiency...Minimum air consumption. You can select the right material. Exhaust position does not stand in the way of efficiency.

Specifications

Model	AD-65B	AD-100B
Rated Air Pressure MPa {kgf/cm ² }	0.59 {6}	0.59 {6}
Air Consumption (No load) m ³ /min.	0.42	0.56
Free Speed min ⁻¹ (rpm)	2,900	1,400
Max. Drilling Capacity mm	OD 6.5	OD 10.0
Mass (Weight) kg	0.75	1.4

Standard Accessories	
<ul style="list-style-type: none"> ● Drill Chuck : 1 pc. ● Chuck Handle : 1 pc. ● Bushing PT3/8 x NPT3/8 : 1 pc. 	<ul style="list-style-type: none"> ● Drill Chuck : 1 pc. ● Chuck Handle : 1 pc. ● Bushing PT3/8 x NPT3/8 : 1 pc.

HAND BEVELER Model **HB-15B** *Beveling up to 15C*



15C

- Ideal for beveling before welding
- Use easy-to-replace super-solid cutting tips
- Each cutting tip has four working edges for good economy
- Finish a surface so fine that post-sanding is unnecessary
- Column R-section can be chamfered with optional attachment
- No damage of workpieces is expected as heat-hardening or oxidization will seldom happen

Specifications

Model	HB-15B	
Power Source (Single phase)	115V AC	230V AC
Rated Power Consumption W	910	910
Rated Current A	10.5	4
No-load Speed min ⁻¹ (rpm)	3,340	2,750
Chamfering Capacity	0 C - 15 C	
Chamfer Angle	15° ~ 45°	
Mass (Weight) kg	14	

Standard accessories

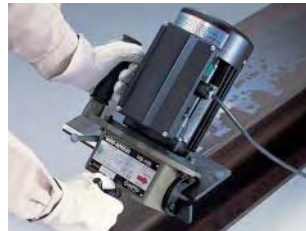
- Hex.Socket Screw Key 4,5,6 mm: each 1 pc.
- T Wrench Key 3 mm: 1 pc.
- Spanner 24X27: 1 pc.
- TA9A093 Tip 12.7 sq., 12 pcs./set. 1 set
- Hook spanner 25 ~ 28: 1 pc.

Optional accessories

- TA9A728 Pipe Plate Assy for O.D. 5" to 32" (125mm to 800mm)



Beveling steel plates



Beveling I-beams

Handy Electric Beveling Tool

MINI BEVELER Model **MB-03A**

Double insulation



3C
2R, 3R

Specifications

Model	MB-03A	
Power Supply (Single phase)	230V or 115V AC, 50/60 Hz	
Rated Power Consumption W	430	
Rated Current A	2 / 4.5	
Chamfering Capacity	0 - 3 C	
Chamfering Radius Capacity	2R, 3R	
Chamfer Angle	45°	
Rated Revolutions min ⁻¹ (rpm)	7,100	
Weight kg	2.5	

Standard accessories

- Hex.Socket Screw Key 3 & 4 mm: each 1 pc.
- Spanner T-9F: 1 pc.

Optional accessories

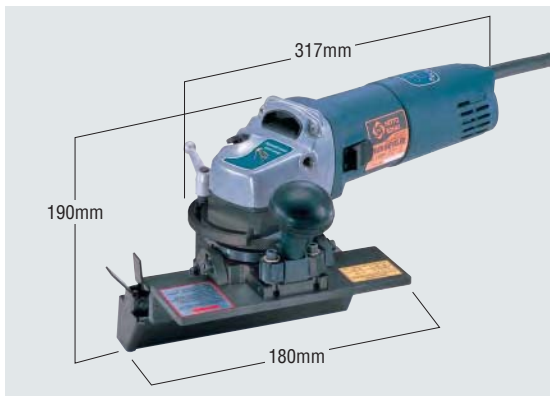
- TA9A386 Tip 9.525, 10 pcs./set
- TA9A592 Tip 9.525 2R, 10 pcs./set
- TA9A638 Tip 9.525 3R, 10 pcs./set
- TA9A594 Inner Head Assembly

Compact and light for speed beveling

- An outer R-part attachment allows chamfering of outer diameters with a radius greater than 170 mm
- An optional inner head ass'y allows chamfering a pipe of inner diameter larger than 100 mm (50R)

Handy Electric Chamfering Tool

MINI BEVELER Model **EMB-0307A**

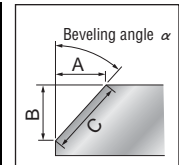


- 3C
- 7C
- 4R

Beveling angle and width

The tool has the limit of beveling width which depends on a beveling angle.

Beveling angle	Stainless Steel (mm)			Mild Steel (mm)		
	A	B	C	A	B	C
45°	3	3	4.2	7	7	9.9
30°	2.2	3.8	4.4	3.8	6.6	7.6
15°	1	3.8	3.9	1.5	5.6	5.8



- Applicable to stainless steel and mild steel beveling
- Super-solid insert with 4-side blades per piece practices good economy
- Simple to adjust beveling depth and replace insert
- Pipe outer edge can be also processed with standard accessories
- Dust box enables collection of swarf and chips
- Beveling angle can be adjusted to any desired position at 15°~45°

Standard accessories

- Carbon Brush Assy: 1 pc.
- Hex. Socket Screw Key 4 mm: 1 pc.
- Super-solid Insert with Hole 12.7: 1 pc.
- Insert Set Screw 4 x 7: 1 pc.
- Hex. Nut M8: 2 pcs.
- Hex. Socket Set Screw 8 x25: 2 pcs.
- Spanner T-15D: 1 pc.

Specifications

Model		EMB-0307A
Power Supply		220 ~ 240V AC, 50/60 Hz
Rated Power Consumption		W 1,020
Rated Current		A 4.6
Rated Duty		Continuous
Chamfering Capacity	Stainless Steel	0 ~ 3C, 2R, 3R, 4R
	Mild Steel	0 ~ 7C, 2R, 3R, 4R
Chamfering Angle		15° ~ 45°
Power cord length		m 4
Mass (Weight)		kg 4

Pneumatic Chamfering Tool

MINI BEVELER Ring Type **AMB-0307** Lever Type **AMBL-0307**



- 3C Stainless Steel
- 7C Mild Steel
- 4R

NOW A SMALL AIR BEVELER DOES THE BIG JOBS, TOO.

- Applicable to stainless steel and mild steel beveling
- Super-solid insert with 4-side blades per piece practices good economy
- Simple to adjust beveling depth and replace insert
- Pipe outer edge can be also processed with standard accessories
- Beveling angle can be adjusted to any desired position at 15°~45°

Specifications

Model		AMB-0307, AMBL-0307
Air Pressure	MPa {kgf/cm ² }	0.59 {6}
Air Consumption (No load)	cm ³ /min	0.9
Free Speed	min ⁻¹ (rpm)	14,000
Chamfering Capacity	Stainless Steel	0 C ~ 3 C or 2 R, 3 R, 4 R
	Mild Steel	0 C ~ 7 C or 2 R, 3 R, 4 R
Chamfer Angle		15° ~ 45°
Mass (Weight)		kg 2.9

Standard accessories

- Hex. Socket Screw key 3 & 4 mm: each 1 pc.
- Spanner: 1 pc.

Optional accessories

Code	Description	Models
TB01159	Insert with Hole 12.7, 10pcs. /set	AMB-0307, AMBL-0307, EMB-0307A
TB01791	Insert 12.7 sq. R2, 10pcs. /set	AMB-0307, AMBL-0307, EMB-0307A
TB01651	Insert 12.7 sq. R3, 10pcs. /set	AMB-0307, AMBL-0307, EMB-0307A
TB01790	Insert 12.7 sq. R4, 10pcs. /set	AMB-0307, AMBL-0307, EMB-0307A
TQ01683	Spanner T-15D	AMB-0307, AMBL-0307
TB02539	Attachment for small dia. steel pipe (outside diameter of 80Ø~200Ø)	AMB-0307, AMBL-0307, EMB-0307A

Pneumatic Radial Chamfering Tool

CIRCUIT BEVELER Model **CB-02**

Lets you chamfer easily and smoothly no matter what the curve line is

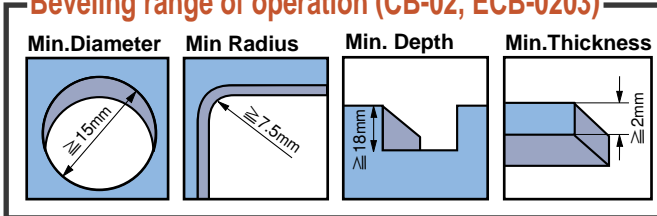


- Versatility chamfer either inner or outer edges
- Precisely adjust chamfer dimensions with accessory gauge

Specifications

Model	CB-02	
Air Pressure	MPa {kgf/cm ² }	0.59 {6}
Air Consumption (No load)	cm ³ /min	0.4
Free Speed	min ⁻¹ (rpm)	13,000
Chamfering Capacity	0C ~ 2C, 2R	
Chamfer Angle	45°	
Mass (Weight)	kg	1.8

Beveling range of operation (CB-02, ECB-0203)



Standard accessories

- C tips: 1 pc.
- Adjustment gauge: 1 pc.
- Spanner T-9F: 1 pc.
- Protective cap: 1 pc.
- Protective glasses: 2 pcs.
- Hook Spanner 58-62: 1 pc.

Optional accessories

- TA9A386 : Tip 9.525 sq. Ass'y (10 pcs.)
- TA9A592 : Tip 9.525 sq. R2 Ass'y (10 pcs.)
- TA9A638 : Tip 9.525 sq. R3 Ass'y (10 pcs.)

Electric Radial Chamfering Tool

CIRCUIT BEVELER Model **ECB-0203**

Smoothly beveling straight and curved edges



- Applicable up to 3C (3R) mild steel beveling, and up to 1.5C (2R) stainless steel beveling
- Minimum beveling plate thickness is 2mm (Max.0.5C)
- Insert with 4-side blades per piece practices good economy
- An optional straight plate allows beveling a straight edge shoulder

Specifications

Model	ECB-0203	
Power Supply	220V ~ 240V AC, 50/60Hz	
Rated Power Consumption	W	450
Rated Duty	min	30
Motor No-load Speed	min ⁻¹ (rpm)	11,000
Chamfering	Mild Steel	0C ~ 3C, ※2R, 3R
	Stainless Steel	0C ~ 1.5C, ※2R
Beveling Angle	45°	
Power Code Length	m	2.5
Mass (Weight)	kg	2.5

※ In case of beveling 3R, an optional insert for 3R is necessary, and beveling 2R, an optional guide sleeve 24mm dia, and super solid insert for 2R are necessary.

Standard accessories

- Insert with hole 12.7: 1 pc.
- Insert set screw: 1 pc.
- Hex.Socket Screw Key 5 : 1 pc.
- Spanner 8 x 10: 1 pc.



Beveling straight edges



Beveling curved edges

QUICK CONNECTIVE COUPLINGS FOR PNEUMATIC TOOLS **HI CUPLA series**

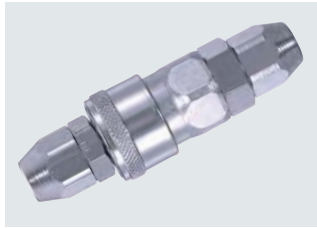
HI CUPLA® / HI CUPLA® 200 (One-tuch connection & Big flow rate type)



- One-way shut-off cupla with an automatic shut-off valve in the socket.
- Important parts are hardened for excellent wear resistance and durability.

Plug				P	Socket				S
For hose connection					For hose connection				
17PH	For 1/4" hose	40PH	For 1/2" hose		17SH	For 1/4" hose	40SH	For 1/2" hose	
20PH	For 1/4" hose	600PH	For 1/2" hose		20SH	For 1/4" hose	600SH	For 3/4" hose	
30PH	For 3/8" hose	800PH	For 1" hose		30SH	For 3/8" hose	800SH	For 1" hose	
For female thread connection					For female thread connection				
10PM	For Rc 1/8"	400PM	For Rc 1/2"		10SM	For Rc 1/8"	400SM	For Rc 1/2"	
20PM	For Rc 1/4"	600PM	For Rc 3/4"		20SM	For Rc 1/4"	600SM	For Rc 3/4"	
30PM	For Rc 3/8"	800PM	For Rc 1"		30SM	For Rc 3/8"	800SM	For Rc 1"	
For male thread connection					For male thread connection				
20PF	For R 1/4"	400PF	For R 1/2"		20SF	For R 1/4"	400SF	For R 1/2"	
30PF	For R 3/8"	600PF	For R 3/4"		30SF	For R 3/8"	600SF	For R 3/4"	
40PF	For R 1/2"	800PF	For R 1"		40SF	For R 1/2"	800SF	For R 1"	
For male thread connection (parallel thread)					For male thread connection (parallel thread)				
20PFF	For G 1/4"								
Specifications					Specifications				
Type	Hi Cupla		Hi Cupla 200		Hi Cupla		Hi Cupla 200		
Body material	Steel (chrome-plated)		Steel (chrome-plated)		Steel (chrome-plated)		Steel (chrome-plated)		
Size	1/8", 1/4", 3/8", 1/2", 3/4", 1"		1/8", 1/4", 3/8", 1/2"		1/8", 1/4", 3/8", 1/2"		1/8", 1/4", 3/8", 1/2"		
Working pressure	1.5MPa		1.0MPa		1.5MPa		1.0MPa		
Pressure resistance	2.0MPa		1.5MPa		2.0MPa		1.5MPa		
Packing material	NBR		NBR		NBR		NBR		
Working temp.range	-20°C~80°C		-5°C~60°C		-20°C~80°C		-5°C~60°C		

NUT CUPLA / NUT CUPLA 200 ● No hose clamping band required! ● Simple, secure, urethane hose connection!



Plug				P	Socket				S
For urethane hose connection (PN)					For urethane hose connection (SN)				
50PN	ID 5 x OD 8 hose	80PN	ID 8 x OD 12 hose		50SN	ID 5 x OD 8 hose	80SN	ID 8 x OD 12 hose	
60PN	ID 6 x OD 9 hose	85PN	ID 8.5 x OD 12.5 hose		60SN	ID 6 x OD 9 hose	85SN	ID 8.5 x OD 12.5	
65PN	ID 6.5 x OD 10 hose	110PN	ID 11 x OD 16 hose		65SN	ID 6.5 x OD 10 hose	110SN	ID 11 x OD 16 hose	
For urethane hose with spring nut connection (PNG)					For urethane hose connection (SN)				
50PNG	For ID 5 x OD 8 hose				200-50SN	ID 5 x OD 8 hose	200-80SN	ID 8 x OD 12 hose	
65PNG	For ID 6.5 x OD 10 hose				200-60SN	ID 6 x OD 9 hose	200-85SN	ID 8.5 x OD 12.5	
85PNG	For ID 8.5 x OD 12.5 hose				200-65SN	ID 6.5 x OD 10 hose	200-110SN	ID 11 x OD 16 hose	
For urethane hose with spring nut connection (SNG)					For urethane hose with spring nut connection (SNG)				
					200-50SNG	For ID 5 x OD 8 hose			
					200-65SNG	For ID 6.5 x OD 10 hose			
					200-85SNG	For ID 8.5 x OD 12.5 hose			

- Fitted with spring nut to eliminate kinking worries.
- NUT CUPLA 200 is one-tuch connection and big flow rate type.

HI CUPLA ACE ● Plastic Cuplas with a built-in locking mechanism! ● Pressure ratings comparable to steel Cuplas.



Specifications	
Body material	Engineering plastics
Size	1/4", 3/8", others
Working pressure	1.5MPa
Pressure resistance	2.0MPa
Packing material	NBR
Working temp.range	-5°C~60°C

Plastic Plug				P	Hi Cupla Ace Socket				S
For hose connection (PH)					For hose connection (SH)				
20PH-PLA	For 1/4" hose				HA-20SH	For 1/4" hose			
30PH-PLA	For 3/8" hose				HA-30SH	For 3/8" hose			
For female thread connection (PM)					For female thread connection (SM)				
20PM-PLA	For Rc 1/4"				HA-20SM	For Rc 1/4"			
30PM-PLA	For Rc 3/8"				HA-30SM	For Rc 3/8"			
For urethane hose with spring nut connection (PNG)					For urethane hose with spring nut connection (SNG)				
50PNG-PLA	For ID 5 x OD 8 hose				HA-50SNG	For ID 5 x OD 8 hose			
65PNG-PLA	For ID 6.5 x OD 10 hose				HA-65SNG	For ID 6.5 x OD 10 hose			
85PNG-PLA	For ID 8.5 x OD 12.5 hose				HA-85SNG	For ID 8.5 x OD 12.5 hose			
Hi Cupla Ace T type (for 2 branches)					Hi Cupla Ace T type (for 2 branches)				
					HA-T		20P-PLA / HA-65S x 2		

ROTARY PLUG



- Newly developed rotary function allow 360° rotation!
- Great improvement for working pneumatic tools!

RL-20PM : For Rc 1/4" female thread connection
 RL-30PM : For Rc 3/8" female thread connection
 RL-20PFF: For G 1/4" male thread connection

LINE CUPLA 200



- Enables several air lines to be taken simultaneously from one supply line!
- Gives speedy branching of Hi Cupla.

200T Type : For two branch line
 200L Type : For five branch line, straight type
 200S Type : For five branch line, star type

CUPLA SERIES

Quick Connecting Fluid Couplings are The World's Best for both Quality and Quantity!



Full line-up consisting of 3,000 series, 20,000 type variations. The couplings eliminate inconvenience of thread-in or bolted flange connections, fluid leakage, or hose kinking but provide speedy control and maintenance of fluid piping.

OTHER PRODUCT LINES (2)

Machine Tools

Electric & Hydraulic Machine Tools, Labor-saving plus Improved Work Efficiency!

A wide range of unique tools for boring, punching, beveling or machining.

MACHINE TOOLS LINE-UP

PORTABLE CUTTING UNIT WITH MAGNET BASE
 ATRA ACE QUICK AUTO
 ATRA ACE MANUAL FEED

TUNGSTEN CARBIDE TIPPED & H.S.S ANNULAR CUTTERS
 JET BROACH
 HI-BROACH

PORTABLE MAGNETIC DRILL STAND
 ATRA MASTER

PORTABLE HYDRAULIC PUNCHER
 SELFER ACE
 SELFER & HYDRALIC PUMP
 HANDY SELFER

PORTABLE BEVELING TOOL
 HAND BEVELER
 MINI BEVELER
 CIRCUIT BEVELER

PORTABLE HYDRAULIC ANGLE MACHINING TOOL
 PORTABLE MULTI WORKER



Linear Motor Driven Free Piston System

MEDO pumps are unique products featuring a patented Linear-motor-driven Free Piston System, that cannot be duplicated by anyone else. NITTO KOHKI has made available a complete series of air compressors and suction pumps that incorporate this revolutionary mechanism. These are quite appropriate as air sources or suction power units for various pneumatically operated equipment and apparatus in advanced industries.



delvo® Professional Tools for High Technology

NITTO KOHKI "delvo" Electric Screwdrivers are high-quality tools for professional use, with special emphasis on precise control of torque and long life. They apply just the correct amount of torque –with sure, positive control always at your fingertips. They're smooth and shockless in operation, too. NITTO KOHKI's customer-oriented service system is directly connected to sales agents to ensure that you can use "delvo" Electric Screwdrivers with confidence.

delvo® Models

DLV7300 Series DLV7500/7600/8500/8600 Series DLV7000/8000 Series
 DLV7100/7200/8100/8200 Series DLV1001 Series DLV9000 Series DLV5720/5720H/5740/5740H/5750 Series



Spring Balancer

TIGON Spring Balancer Improves Work Safety & Efficiency.

TIGON Spring Balancer Models

TW-00/TW-0/TW-3/TW-5/TW-9/TW-15/TW-22/
 TW-30/TW-40/TW-50/TW-60/TW-70



Responding to the Diversified Needs of Users, we put to Active Use of our Technology and Experience developed over Many Years.

Head Office and Laboratory, Tokyo Japan



NITTO KOHKI CO., LTD.

Stable supply of products is maintained while we are responding to sound ideas for high grade development. A lively program for interchanging personnels between the development and production departments demonstrates great strength in better working coordination by "crossing the bridge" between new ideas and industrial products.

Lines of Business

The development, manufacture and sales of

- (1) labor-saving tools through the application of pneumatic, hydraulic and electric technology
- (2) easily operated couplings for various fluids
- (3) high performance free-piston pumps and the development, manufacture and sales of devices based on their applications
- (4) various robots and material handling systems.

Overseas Affiliates/Offices

NITTO KOHKI U.S.A. INC.

TEL:(630)-924-9393 FAX:(630)-924-0303

NITTO KOHKI EUROPE CO., LTD.(UK)

TEL:(01923)239-668 FAX:(01923)248-815

NITTO KOHKI DEUTSCHLAND GMBH

TEL:(07157)22436 FAX:(07157)22437

NITTO KOHKI AUSTRALIA PTY. LTD.

TEL:(07)3340-4600 FAX:(07)3340-4640

NITTO KOHKI CO., LTD. SINGAPORE BRANCH

TEL:6227-5360 FAX:6227-0192

NITTO KOHKI CO., LTD. BANGKOK REPRESENTATIVE OFFICE

TEL:632-0307 FAX:632-0308

NITTO KOHKI CO., LTD. SHANGHAI REPRESENTATIVE OFFICE

TEL:(021)6415-3935 FAX:(021)6472-6957

NITTO KOHKI CO., LTD. SHENZHEN REPRESENTATIVE OFFICE

TEL:(0755)8375-2185 FAX:(0755)8375-2187

NITTO KOHKI CO., LTD. SEOUL REPRESENTATIVE OFFICE

TEL:(031)335-4122 FAX:(031)335-4125

Ujii Plant



Yamagata Plant



Shirakawa Plant



Thailand Plant



 **WARNING**

IMPORTANT SAFETY INSTRUCTIONS FOR ALL AIR TOOLS

When using air tools, basic safety precautions should always be followed to reduce the risk of personal injury, including the following.

Operator

Operators assigned to use the tools should be instructed in the safe use of the tool.

No person should use this tool without first having read and understood this instruction manual.

(1) Dress properly.

Do not wear loose clothing or ornaments. They can be caught in moving parts. Non-skid footwear is recommended. Wear protective hair covering to contain long hair.

(2) Always wear eye protection.

Everyday eyeglasses only have impact resistant lenses. They do NOT protect eyes. Also use face or dust mask, if operations create dust.

(3) Always wear protective ear equipment.

(4) Do not overreach.

Keep proper footing and balance at all times.

(5) Stay alert.

Watch what you are doing. Use common sense. Do not operate tool when you are tired.

(6) Some tools generate substantial vibrations.

If discomfort or pain is encountered during use, you should cease operations and check with your physician prior to further use.

(7) Be sure to keep hands clear of moving parts.

Work-place

(1) Keep work area clean.

Cluttered work areas and benches invite accidents and injuries.

(2) Consider work area environment.

Do not expose tools to rain. Do not use tools in damp or wet locations. Keep work area well lit.

(3) Do not operate near flammable liquids or in gaseous or explosive atmospheres.

(4) Keep children away.

Also all visitors should be kept away from work area. Do not let visitors contact the tool, compressor or connecting hoses.

(5) Some tools generate high noise levels.

Check to be sure that the use of this tool conforms to all local noise regulations.

Before Work

(1) Be sure all external screws, nuts and bolts are tightly secured prior to each use.

(2) Do not use damaged frayed or deteriorated hoses and fittings.

(3) Remove adjusting keys and wrenches.

Form habit of checking to see that adjusting keys and wrenches are removed from tool before turning it on.

(4) Use right tool.

Do not force a small tool or attachment to do the job of a heavy-duty tool. Do not use tool for a purpose not intended.

(5) Do not force tool.

It will do the job better and safer at the rate for which it was designed.

(6) Secure work.

Use clamps or a vise to hold work when practical. It is safer than using your hand and it frees both hands to operate tool.

(7) Air pressure at the inlet must not exceed 0.59 MPa (6kgf/cm², 85psig, 5.9bar) .

Handling

(1) Store idle tools.

When not in use, tools should be stored in dry, and locked-up places out of reach of children.

(2) Avoid unintentional starting.

Do not carry air-powered tool with finger on throttle. When carrying tool, be sure the connecting hose to the compressor is disconnected.

(3) Reduce the risk of unintentional starting.

Make sure throttle is in "OFF" position before connecting air hose to tool.

(4) Do not abuse hose.

Never carry tool with air supply hose connected or yank on hose to disconnect.

(5) Never leave tool running unattended.

Always turn off the air supply and disconnect the air supply hose. Do not leave tool unattended until it comes to a complete stop.

Maintenance

(1) Do not reconstruct or modify.

(2) Check damaged parts.

Before further use of the tool, an accessory or other part that is damaged should be carefully checked to determine that it will operate properly and perform its intended functions. Check for alignment of moving parts, binding of moving parts, breakage of parts, mounting, and any other conditions that may affect its operation. An accessory or other part that is damaged or inoperable should be properly repaired or replaced.

(3) Repairs by authorized personnel.

Any repairs on the tool or installation of replacement parts should be performed only by the sales agent from whom you purchased the tool or the manufacturer. Use only genuine replacement parts. Failure to utilize the expertise of an authorized sales agent from whom you purchased the tool or the manufacturer or, failure to use genuine replacement parts, may result in an increased risk of injury to the user and may invalidate your warranty.

(4) Use recommended accessories.

Consult this manual or the sales agent from whom you purchased the tool or the manufacturer for recommended accessories. The use of improper accessories may cause risk of injury to persons.

(5) Always turn off the air supply and disconnect the air supply hose before installing, removing or adjusting any accessory on the tool or before performing any maintenance on the tool.

(6) Do not remove any label placed on the tool.

If the labels become damaged, or begin to peel away, contact the sales agent from whom you purchased the tool or the manufacturer for their immediate replacement.

POWER TOOLS

***Technologies that Respond
to the Needs of the Times***



★ Specifications and designs are subject to change at any time without notice.



NITTO
NITTO KOHKI CO.,LTD.

Head Office

9-4, Nakaikegami 2-chome,
Ohta-ku, Tokyo 146-8555 Japan
Phone : 03(3755)1111 Fax : 03(3753)8791

- ▶ E-mail : overseas@nitto-kohki.co.jp
- ▶ URL : <http://www.nitto-kohki.co.jp>



Manufactured by

NITTO KOHKI-MIJIN CO.,LTD.

DISTRIBUTED BY